

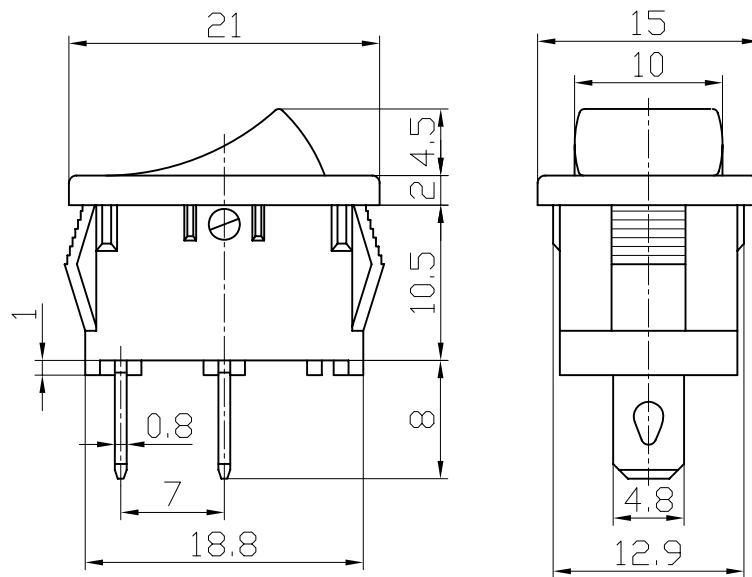
# Miniature Rocker Switch

(TYPE): MRS-111A

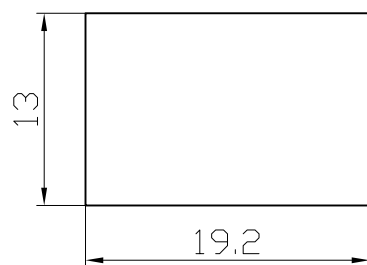
## (Specification)

1. (Rating): 10A 125VAC; 6A 250VAC
2. (Contact R): 35mΩ max
3. (Insulation R): 500V DC 100MΩ min
4. (Dielectric Strength): 1 Minute 1500V AC
5. (Operating Temperature): -25°C ~ +85°C
6. (Electrical Life): 10, 000 Cycles

## (Outline Drawing)



## (Mounting)



## (Circuitry)

