

1) you can press any key in the transmitter for cancelling "delay condition" or "alarm function"

2) when transmitter is printed "alarm" and "delay" that means this transmitter with "alarm" and "delay" function

3) please refer to the illustration as stated in the diagram before use this product

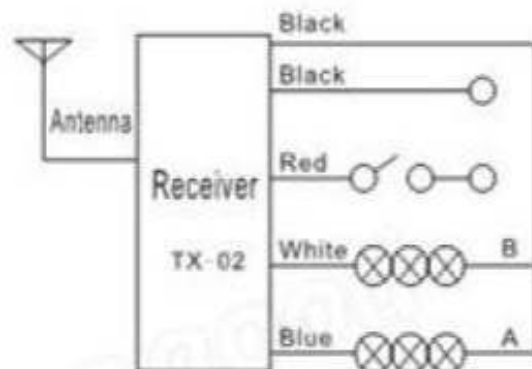
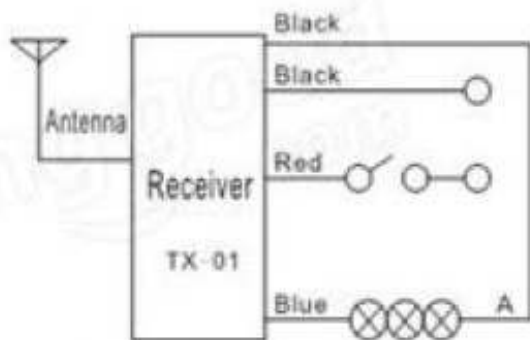
### Caution

1) the transmitter can not be put in moist condition.

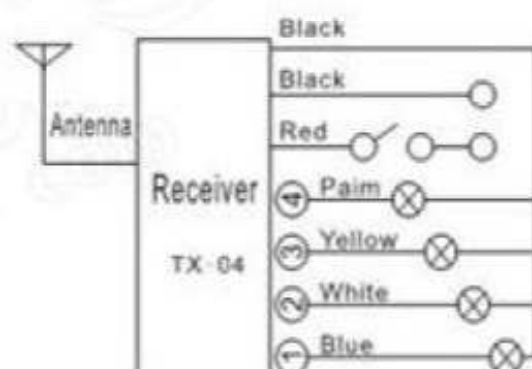
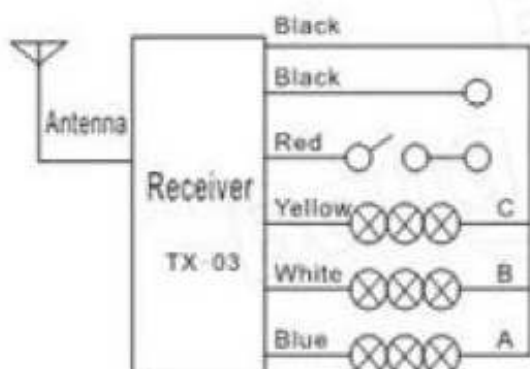
2) Please replace the battery when the operating range becoming short or the LED indicator is off or dark.

3) when setting the receiver please keep away the inductance and pull straight the antenna.

4) please refer to the circuit diagram and working voltage which stated on the product label.



Function: A-ON, B OFF, C Back, D ON/OFF



### Mark on the transmitter and use illustration:

Mark	function	operation
A	on/off	for on/off
B	on/off	for on/off
C	on/off	for on/off
D	on/off	for on/off
	on/off	for on/off
Delay	on/off	pressing for 15-30s for delay system
ON	on	for on
OFF	off	for off